

Signal Formats

System	Signal standard				HDMI
	Analog composite	SD/HD	Dual link *5	3G	
575/50i (PAL)	○	○	–	–	○
480/60i (NTSC)*1	○	○	–	–	○
576/50p	–	–	–	–	○
480/60p*1	–	–	–	–	○
640 x 480/60p*1	–	–	–	–	○
1920 x 1080/24PsF*1*2	–	○	○*3	○*3	–
1920 x 1080/25PsF*2	–	○	○*3	○*3	–
1920 x 1080/30PsF*1*2	–	○*5	○*3	○*3	–
1920 x 1080/24p*1	–	○	○*3	○*3	○
1920 x 1080/25p	–	○	○*3	○*3	○
1920 x 1080/30p*1	–	○	○*3	○*3	○
1920 x 1080/50i	–	○	○*3	○*3	○
1920 x 1080/60i*1	–	○	○*3	○*3	○
1920 x 1080/50p	–	–	○*4	○*4	○
1920 x 1080/60p*1	–	–	○*4	○*4	○
1280 x 720/24p*1	–	○	–	–	–
1280 x 720/25p	–	○	–	–	–
1280 x 720/30p*1	–	○	–	–	–
1280 x 720/50p	–	○	–	○*3	○
1280 x 720/60p*1	–	○	–	○*3	○
2048 x 1080/24PsF*1*2*5	–	○	○*3	○*3	–
2048 x 1080/25PsF*2*5	–	○	○*3	○*3	–
2048 x 1080/30PsF*1*2*5	–	○	○*3	○*3	–
2048 x 1080/24p*1*5	–	○	○*3	○*3	–
2048 x 1080/25p*5	–	○	○*3	○*3	–
2048 x 1080/30p*1*5	–	○	○*3	○*3	–
2048 x 1080/48p*1*5	–	–	○*4	○*4	–
2048 x 1080/50p*5	–	–	○*4	○*4	–
2048 x 1080/60p*1*5	–	–	○*4	○*4	–

*1 Compatible with 1/1.001 frame rates.

*2 PVM-A/LMD-A Series: 1080/25PsF, 30PsF; 2048/25PsF, 30PsF are displayed as 1080/25PsF, 30PsF; 2048/25PsF, 30PsF on the screen if the Payload ID is added to the video signal, or displayed as 1080/50i, 60i, 2048/50i, 60i if the ID is not added. PVM-741/LMD-941W: 1080/24PsF, 25PsF, and 30PsF are displayed as 1080/48i, 50i, and 60i on the screen, respectively.

*3 10-bit 4:4:4 Y/Cb/Cr and 4:4:4 RGB are supported.

*4 10-bit 4:2:2 Y/Cb/Cr is supported.

*5 PVM-A250/PVM-A170/LMD-A240/LMD-A220/LMD-A170 only support 1920 x 1080/30PsF; the dual link and 2048 signals. Supported with V1.1.

Specifications

	PVM-A250	PVM-A170	PVM-741
Picture Performance			
Panel	OLED panel		
Picture size (Diagonal)	623.4 mm (24 5/8 inches)	419.7 mm (16 1/2 inches)	188.0 mm (7 1/2 inches)
Effective picture size (H x V)	543.4 x 305.6 mm (21 1/2 x 12 1/8 inches)	365.8 x 205.7 mm (14 1/2 x 8 1/8 inches)	163.9 x 92.2 mm (6 1/2 x 3 5/8 inches)
Resolution (H x V)	1920 x 1080 pixels (Full HD)		960 x 540 pixels (Quarter HD)
Aspect	1.6:9		
Panel drive	RGB 10-bit		
Viewing angle (Panel specification)	89°/89°/89°/89° (typical) (up/down/left/right contrast > 10:1)		
Input			
Composite input	BNC (x1), 1.0 Vp-p ±3dB sync negative		
SDI input	BNC (x2)		
HDMI input	HDMI (x1) (HDCP correspondence)		
Audio input	Stereo mini jack (x1), -5 dBu 47 kΩ or higher		
Parallel remote	RJ-45 modular connector 8-pin (x1) (Pin-assignable)		
Serial remote (LAN)	RJ-45 modular connector (x1) (Ethernet, 10BASE-T/100BASE-TX)		
DC input	–	XLR-type 4-pin (male) (x1) DC 12 V to 1.6 V (output impedance 0.05 Ω or less)	XLR-type 4-pin (male) (x1) DC 12 V (output impedance 0.05 Ω or less)
Output			
Composite output	BNC (x1), Loop-through, with 75 Ω automatic termination		
SDI output	BNC (x2)		BNC (x1)
	Output signal amplitude: 800 mVp-p ±10% Output impedance: 75 Ω unbalanced		
Audio monitor output	Stereo mini jack (x1)		
Speaker (built-in) output	1.0 W (mono)		0.5 W (mono)
Headphone output	Stereo mini jack (x1)		
General			
Power requirements	AC 100 V to 240 V, 1.3 A to 0.6 A, 50/60 Hz	AC 100 V to 240 V, 0.9 A to 0.5 A, 50/60 Hz DC 12 V to 1.6 V, 6.4 A to 4.8 A	AC 100 V to 240 V, 0.5 A to 0.3 A, 50/60 Hz DC 12 V, 1.9 A
Power consumption	Approx. 115 W (max.) Approx. 80 W (average power consumption in the default status)	Approx. 75 W (AC power supply) (max.) Approx. 60 W (AC power supply) (average power consumption in the default status)	Approx. 30 W (max.) –
Operating temperature	0°C to 35°C (32°F to 95°F) Recommended: 20°C to 30°C (68°F to 86°F)		0°C to 40°C (32°F to 104°F) Recommended: 20°C to 30°C (68°F to 86°F)
Operating humidity	30% to 85% (no condensation)		
Storage / Transport temperature	-20°C to +60°C (-4°F to +140°F)		
Storage / Transport humidity	0% to 90%		
Operating / Storage / Transport pressure	700 hPa to 1060 hPa		
Dimensions (W x H x D)	581.0 x 386.6 x 65.5 mm* (22 7/8 x 15 1/4 x 2 5/8 inches) (without monitor feet)	435.0 x 274.0 x 65.5 mm* (17 1/4 x 10 7/8 x 2 5/8 inches) (without monitor feet)	222.4 x 166 x 70 mm (8 7/8 x 6 5/8 x 2 7/8 inches)
	581.0 x 409.1 x 165.0 mm (22 7/8 x 16 1/8 x 6 1/2 inches) (with monitor feet)	435.0 x 296.5 x 165.0 mm (17 1/4 x 11 3/4 x 6 1/2 inches) (with monitor feet)	222.4 x 183.5 x 161.8 mm (8 7/8 x 7 1/4 x 6 3/8 inches) (when AC adaptor is installed)
Mass	Approx. 6.1 kg (13 lb 7.2 oz)	Approx. 4.2 kg (9 lb 4.2 oz)	Approx. 2.0 kg (4 lb 6 oz) Approx. 2.6 kg (5 lb 12 oz) (when AC adaptor is installed)
Supplied accessories	AC power cord (1), AC plug holder (1), Before Using This Unit (1), CD-ROM (1)	AC power cord (1), AC plug holder (1), Handle (1) (including 4 screws), Before Using This Unit (1), CD-ROM (1)	AC power cord (1), AC plug holder (1), AC adaptor (1), Handle (1), Arm mount bracket (1), Screws (4), Operating instructions (1), CD-ROM (1), Using the CD-ROM Manual (1)
Optional accessories	SU-561 Monitor Stand, BKM-PP25 Protection kit	SU-561 Monitor Stand, MB-P17 Mounting bracket, BKM-PP17 Protection kit	MB-531 Mounting bracket, MB-532 Mounting panel, VF-510 Monitor ENG kit

* Without projection parts.

	LMD-A240	LMD-A220	LMD-A170	LMD-941W
Picture Performance				
Panel	a-Si TFT Active Matrix LCD			
Picture size (diagonal)	611.3 mm (24 1/8 inches)	546.1 mm (21 1/2 inches)	419.6 mm (16 5/8 inches)	228.0 mm (9 inches)
Effective picture size (H x V)	518.4 x 324.0 mm (20 1/2 x 12 7/8 inches)	476.1 x 267.8 mm (18 3/4 x 10 5/8 inches)	365.8 x 205.7 mm (14 1/2 x 8 1/8 inches)	198.7 x 111.8 mm (7 7/8 x 4 1/2 inches)
Resolution (H x V)	1920 x 1200 pixels (WUXGA)	1920 x 1080 pixels (Full HD)		
Aspect	16:10	16:9		
Colors	Approx. 1,073 million colors	Approx. 16.7 million colors		
Viewing angle (Panel specification)	89°/89°/89°/89° (typical) (up/down/left/right contrast > 10:1)			
Input				
Composite input	BNC (x1), 1.0 Vp-p ±3 dB sync negative			
SDI input	BNC (x2)			
HDMI input	HDMI (x1) (HDCP correspondence)			
Audio input	Stereo mini jack (x1), -5 dBu 47 kilohms or higher			
Parallel remote	RJ-45 Modular connector 8-pin (x1)			
Serial remote	RJ-45 Modular connector (x1) (Ethernet, 10BASE-T/100BASE-TX)			
DC input	XLR-type 4-pin (male) (x1) DC 12 V to 17 V (output impedance 0.05 Ω or less)		XLR-type 4-pin (male) (x1) DC 12 V (output impedance 0.05 ohms or less)	
Output				
Composite output	BNC (x1), loop-through, with 75 ohms automatic terminal function			
SDI output	BNC (x2) Output signal amplitude: 800 mVp-p ±10% Output impedance: 75 Ω unbalanced			BNC (x1)
Audio monitor output	Stereo mini jack (x1)			
Speaker (built-in) output	1.0 W (monaural)			0.5 W (monaural)
Headphones output	Stereo mini jack (x1)			
General				
Power requirements	AC 100 V to 240 V, 0.5 A to 0.2 A, 50/60 Hz DC 12 V to 17 V, 3.6 A to 2.6 A	AC 100 V to 240 V, 0.5 A to 0.2 A, 50/60 Hz DC 12 V to 17 V, 3.4 A to 2.4 A	AC 100 V to 240 V, 0.5 A to 0.2 A, 50/60 Hz DC 12 V to 17 V, 3.6 A to 2.5 A	AC 100 V to 240 V, 0.7 A to 0.4 A, 50/60 Hz DC 12 V, 2.5 A
Power consumption	Approx. 51 W (max.) Approx. 45 W (average power consumption in the default status)	Approx. 47 W (max.) Approx. 43 W (average power consumption in the default status)	Approx. 49 W (max.) Approx. 42 W (average power consumption in the default status)	Approx. 36 W (max.)
Mass	7.6 kg (16 lb 12 oz) (with monitor feet)	5.4 kg (11 lb 14 oz) (with monitor feet)	4.9 kg (10 lb 13 oz) (with monitor feet)	2.0 kg (4 lb 6.5 oz) 2.6 kg (5 lb 12 oz) (when AC adaptor is installed)
Supplied accessories	AC power cord (1), AC plug holder (1), Before Using This Unit (1), CD-ROM (1)	AC power cord (1), AC plug holder (1), Handle (1) (including 4 screws), Before Using This Unit (1), CD-ROM (1)		AC power cord (1), AC adaptor (1), AC plug holder (1), Handle (1), Arm mount bracket (1) (including 4 screws), Operating Instructions (1), CD-ROM (1), Using the CD-ROM Manual (1)

Options



BKM-PP25
Protection kit
(for PVM-A250)



BKM-PP17
Protection kit
(for PVM-A170)



BKM-PL17
Protection kit
(for LMD-A170)



MB-P17
Mounting bracket
(for PVM-A170)



MB-L22
Mounting bracket
(for PVM-A250 and LMD-A220)



MB-L17
Mounting bracket
(for LMD-A170)



SU-561
Monitor stand



MB-531
Mounting Bracket
(for PVM-741 and LMD-941W)



MB-532
Mounting Panel
(for PVM-741 and LMD-941W)

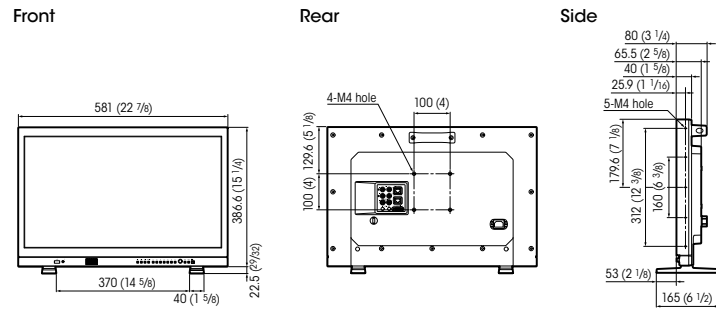


VF-510
ENG Kit (Viewing Hood,
Carrying Handle and
Connector Protector)
(for PVM-741 and LMD-941W)

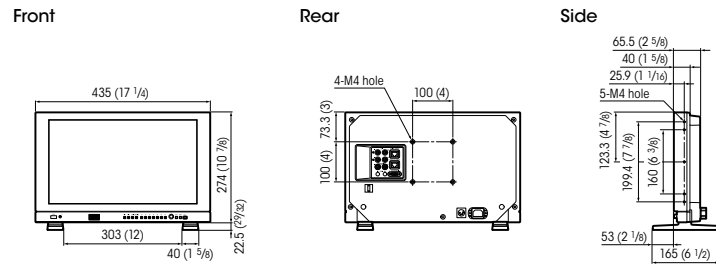
Dimensions

Unit: mm (inches)

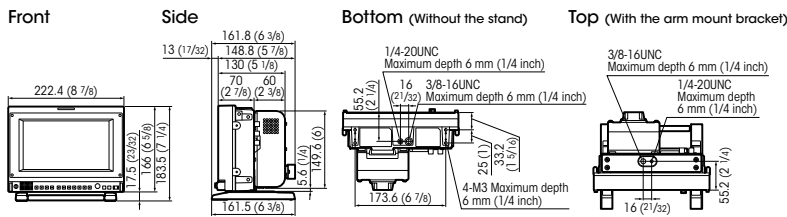
PVM-A250



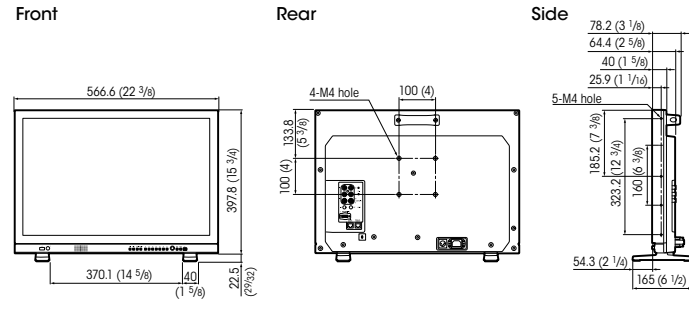
PVM-A170



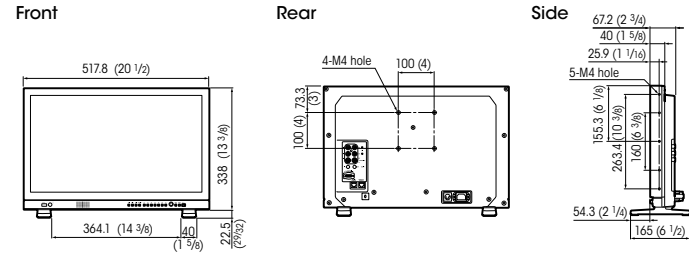
PVM-741



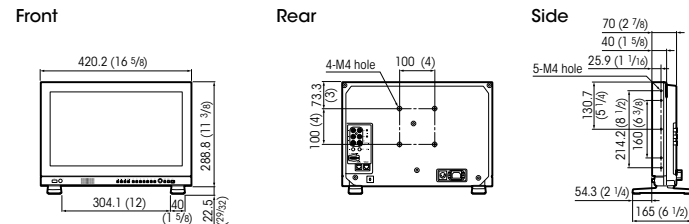
LMD-A240



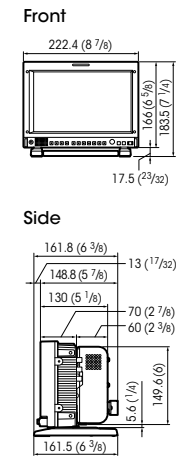
LMD-A220



LMD-A170



LMD-941W



Distributed by

MK11128V1EYIT14MAR

©2014 Sony Corporation. All rights reserved.
 Reproduction in whole or in part without written permission is prohibited.
 Features and specifications are subject to change without notice.
 Screen images are simulated.
 The values for mass and dimension are approximate.
 "SONY" and "TRIMASTER EL" are trademarks of Sony Corporation.
 HDMI is a trademark of HDMI Licensing, LLC.
 All other trademarks are the properties of their respective owners.

The PVM-A250 and PVM-A170 are produced at Sony EVICS Corporation Kosai Site, which has received ISO14001 Environmental Management System certification.

